
RAILING SYSTEM

[Sitemap](#) | [Seiten index](#) | [Plan du site](#)

RAILING SYSTEM 12 mm glass (6.6.2)

Page | Seite 3-5

RAILING SYSTEM 16 mm glass (8.8.2)

Page | Seite 6-7

RAILING SYSTEM 20 mm glass (10.10.2)

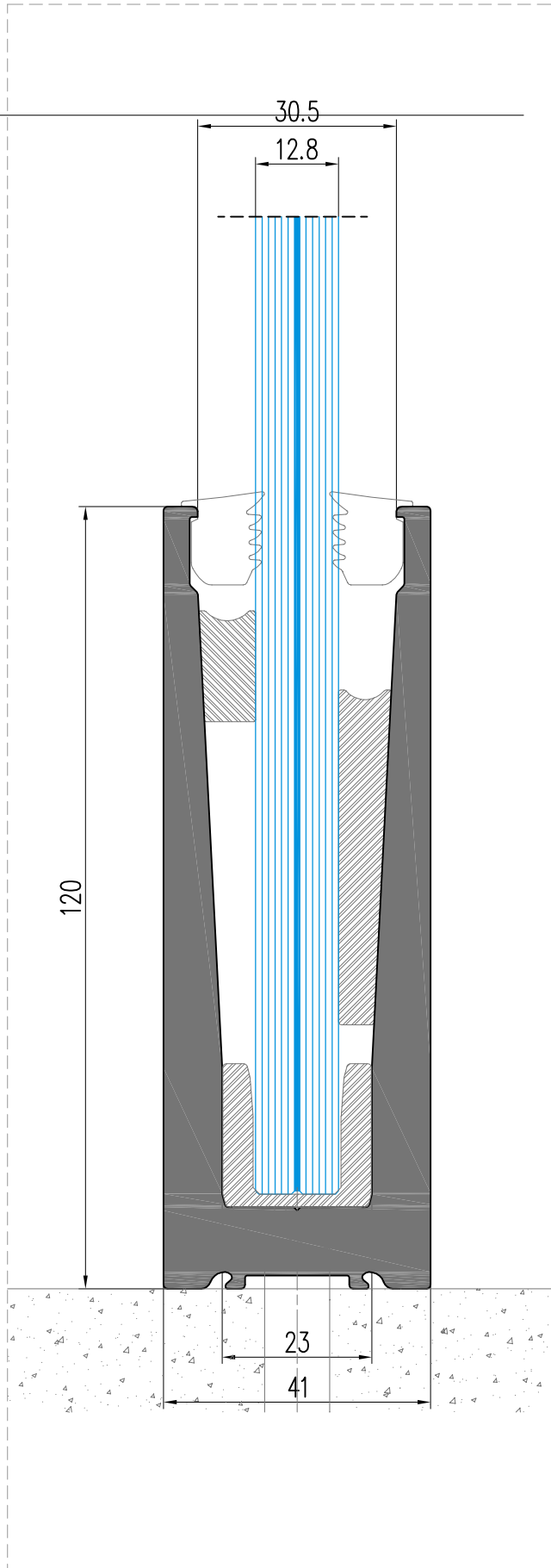
Page | Seite 8-9

RAILING SYSTEM profile list

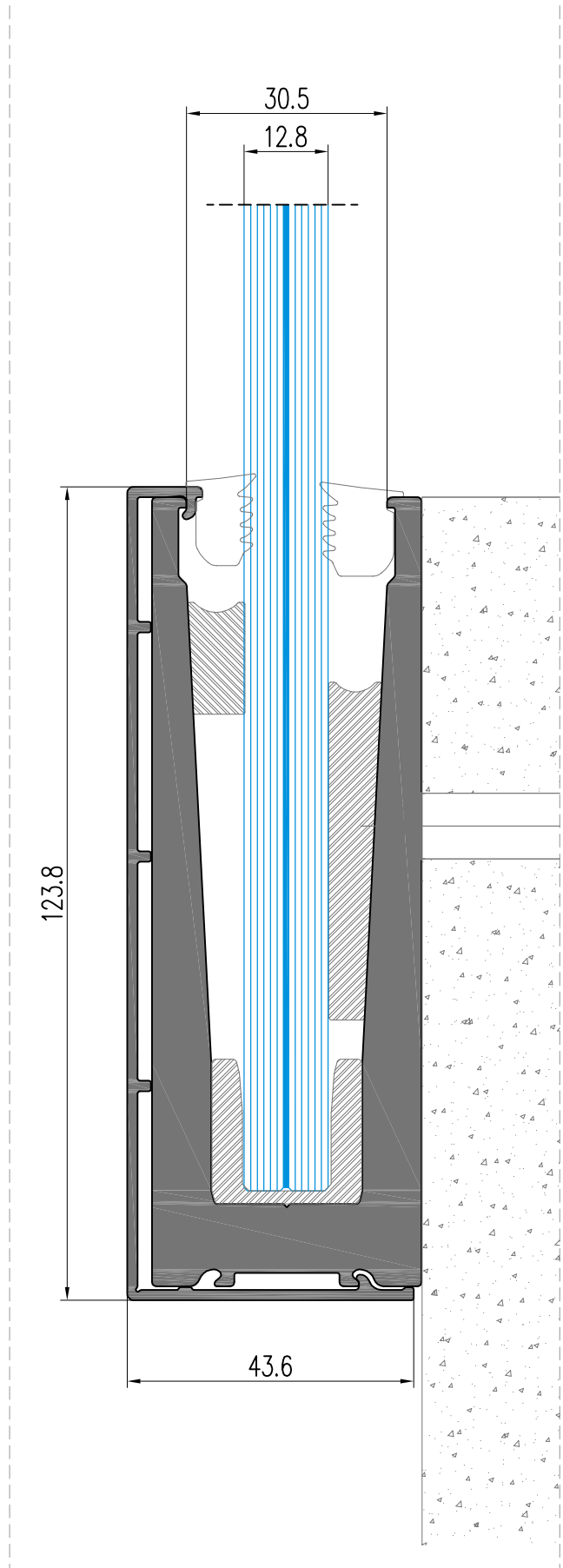
Page | Seite 10-13

RAILING SYSTEM with 12mm glass (6.6.2)

Vertical application I

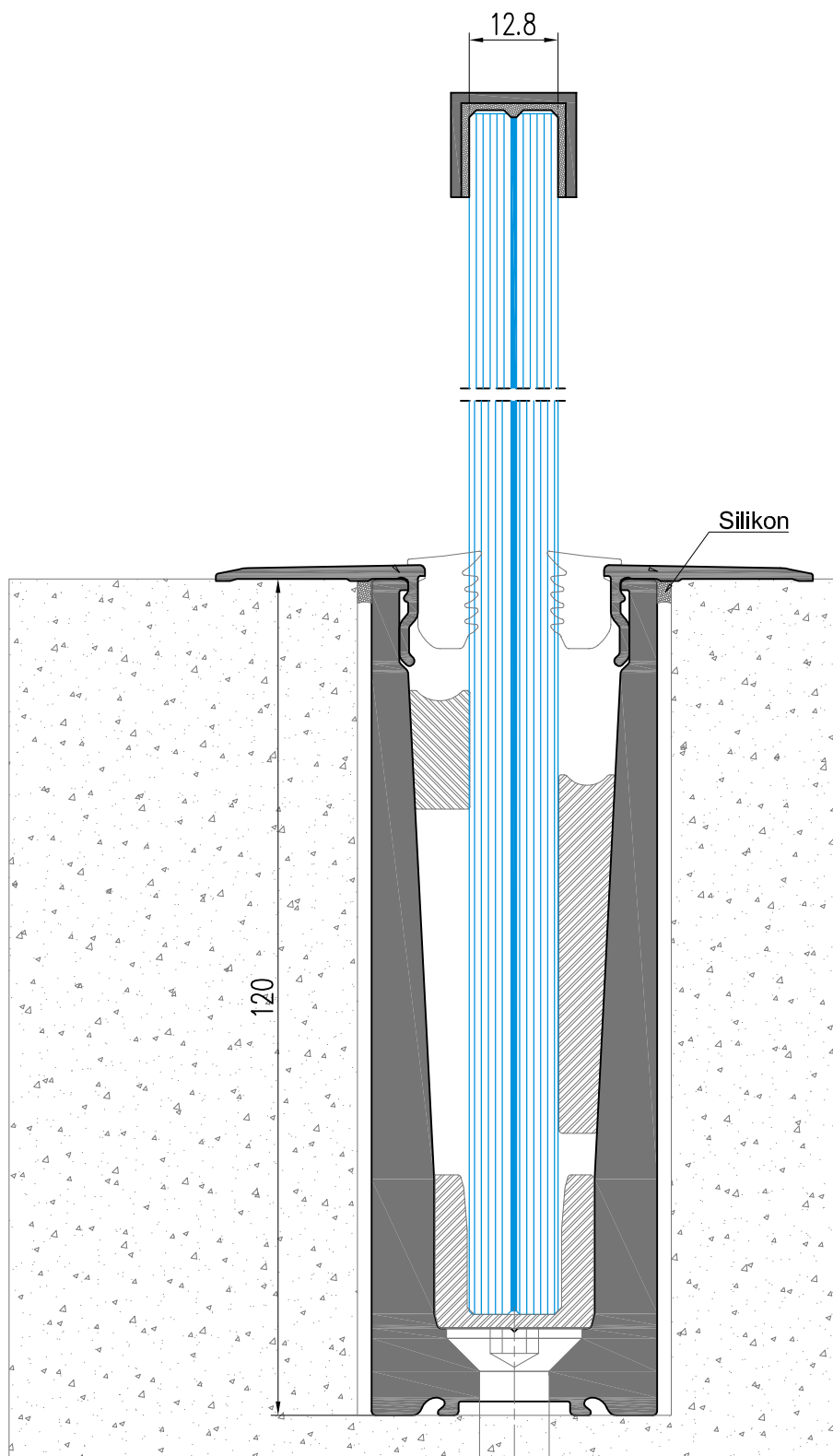


Lateral application I



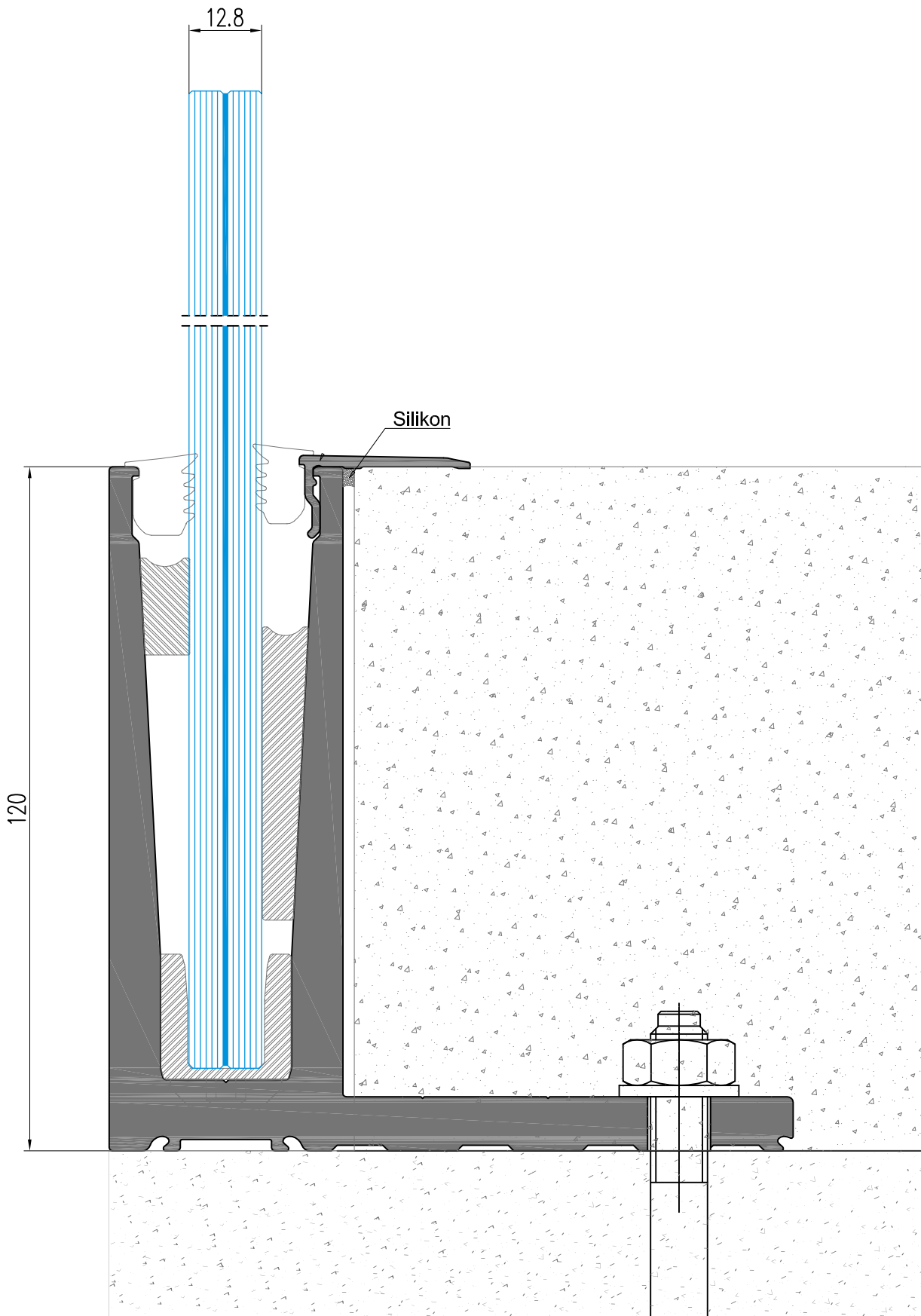
RAILING SYSTEM with 12mm glass (6.6.2)

Built-in application I



RAILING SYSTEM with 12mm glass (6.6.2)

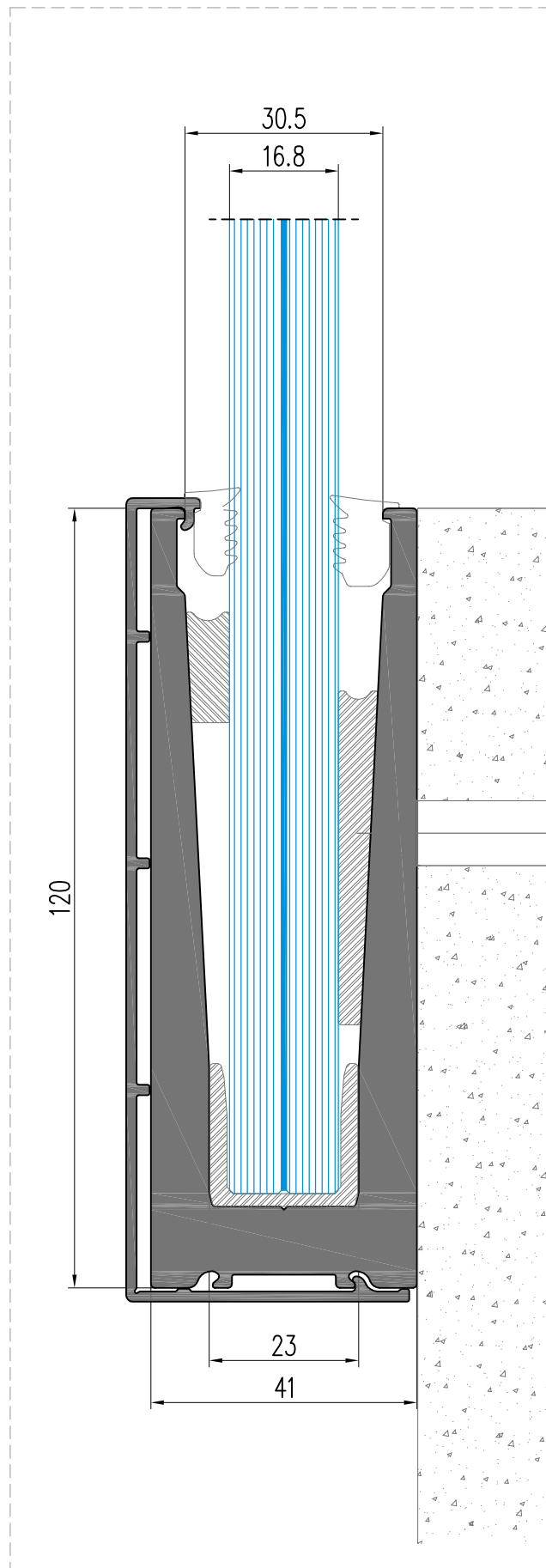
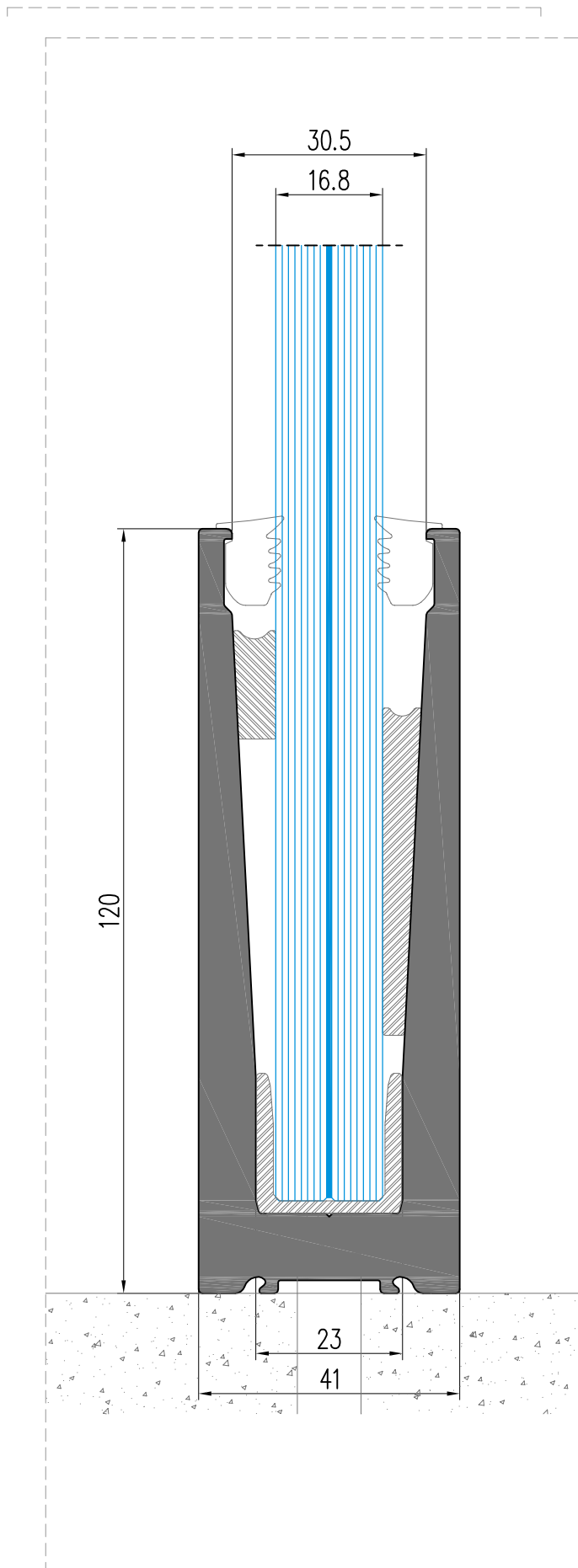
System application I



RAILING SYSTEM with 16mm glass (8.8.2)

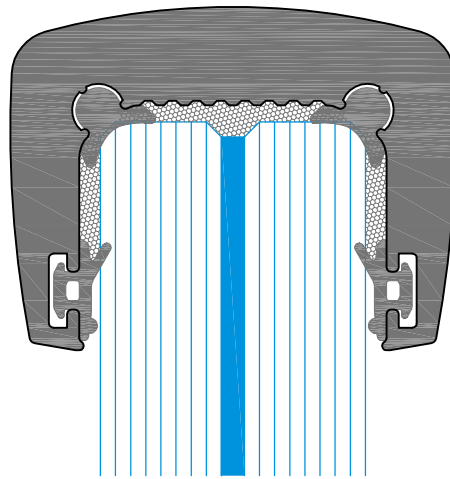
Vertical application I

Lateral application I



RAILING SYSTEM with 16mm glass (8.8.2)

Handrail detail I

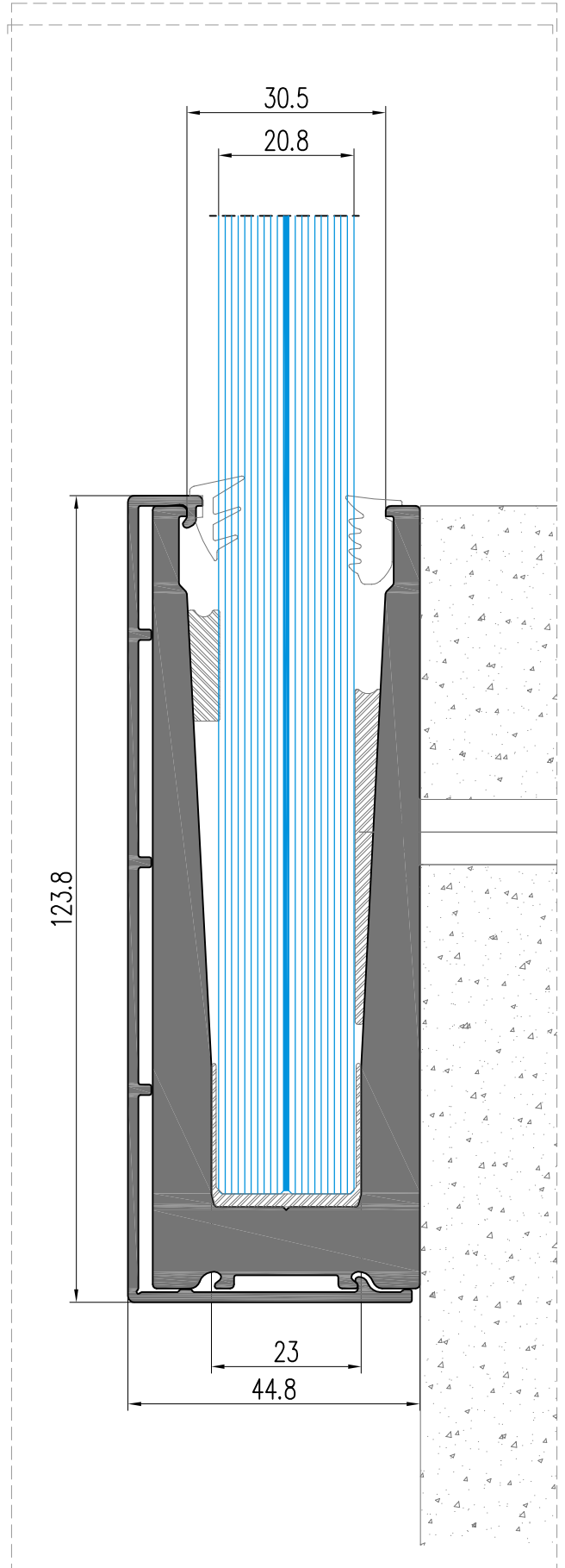
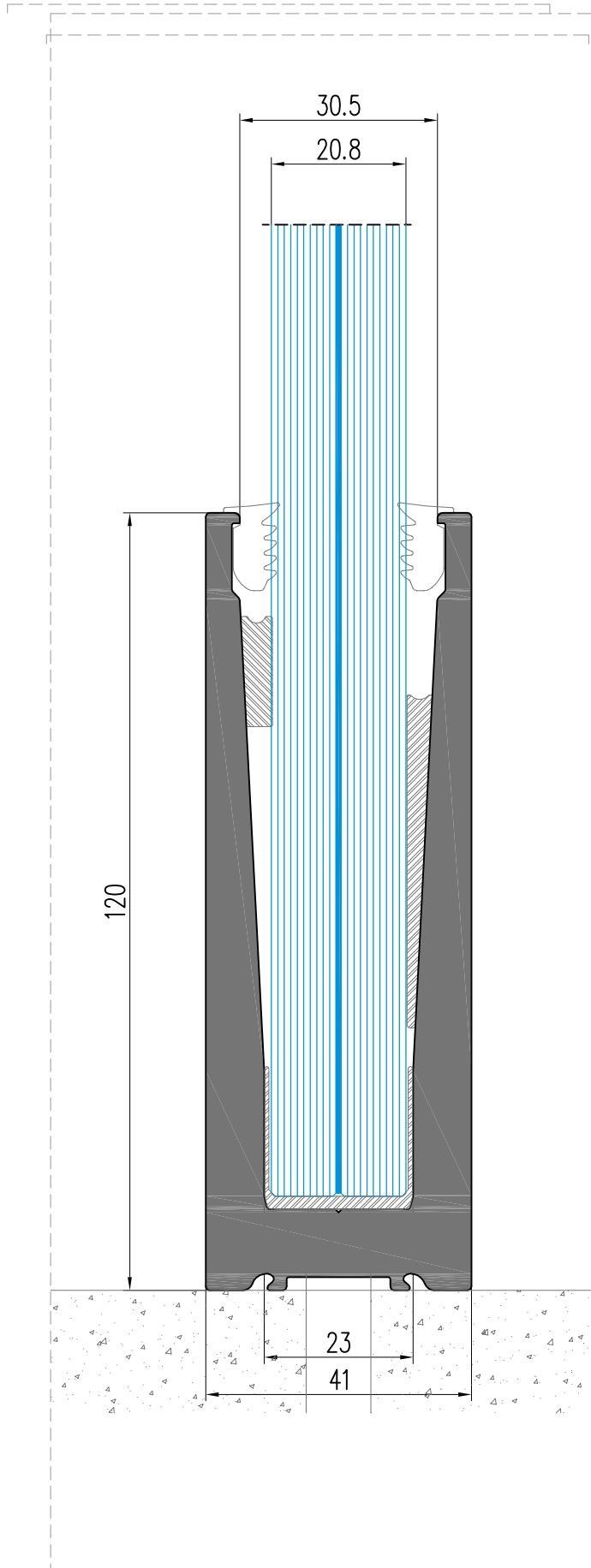


2:1

RAILING SYSTEM with 20mm glass (10.10.2)

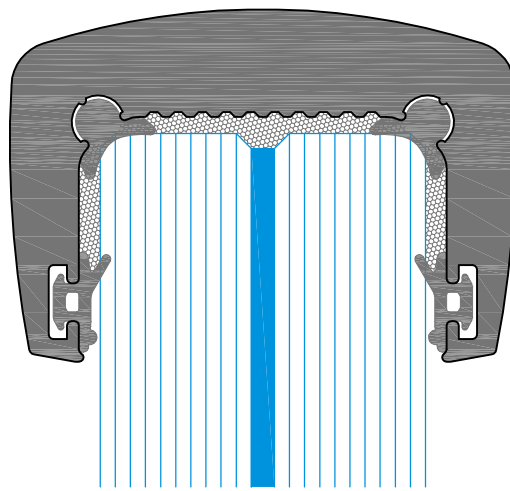
Vertical application I

Lateral application I



RAILING SYSTEM with 20mm glass (10.10.2)

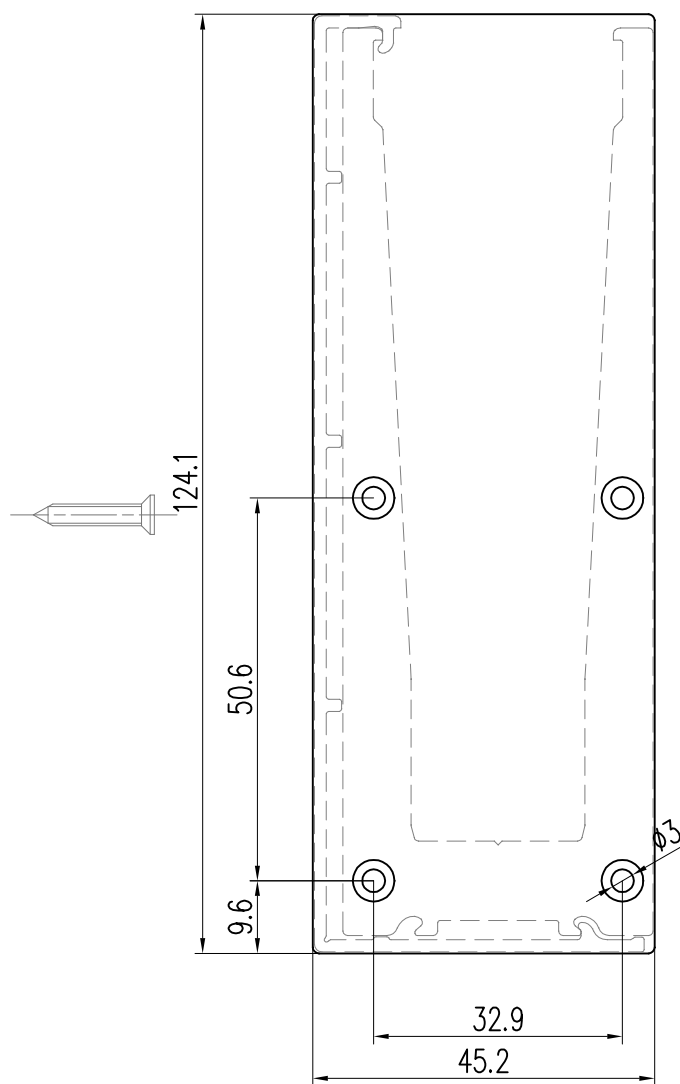
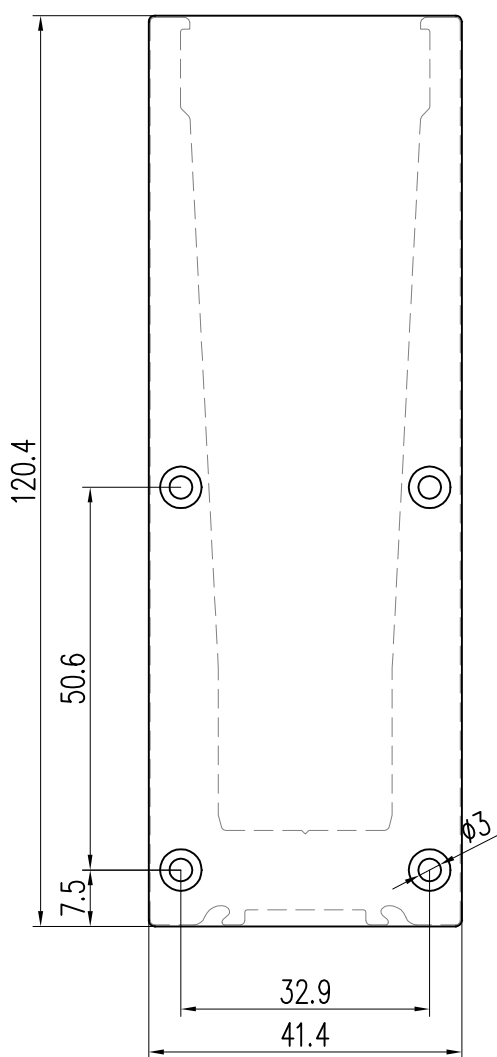
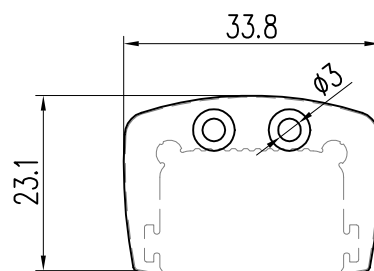
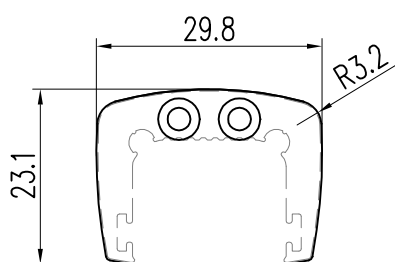
Handrail detail I



2:1

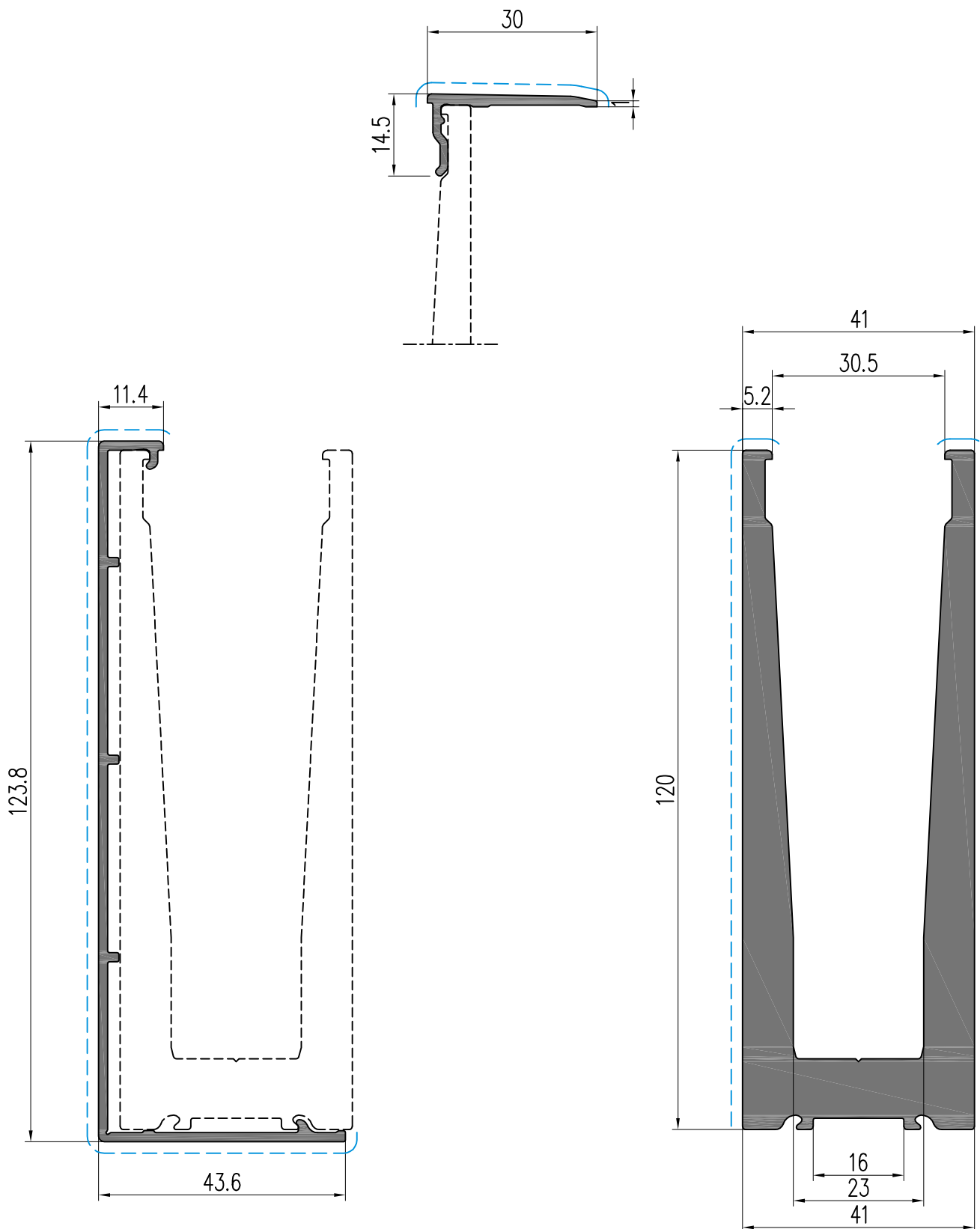
RAILING SYSTEM

Cap covers I



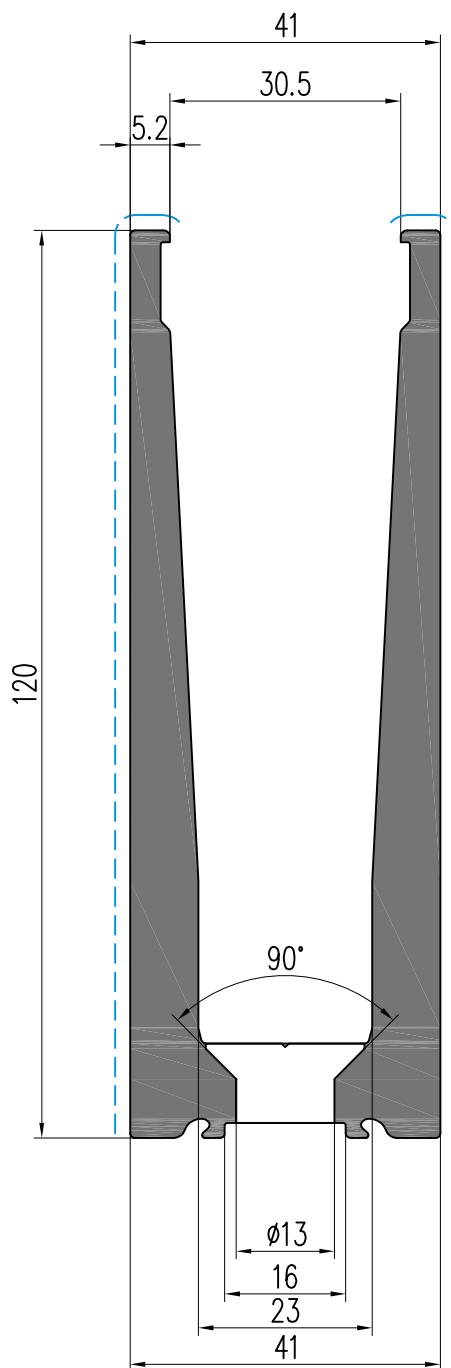
RAILING SYSTEM

Profiles list I

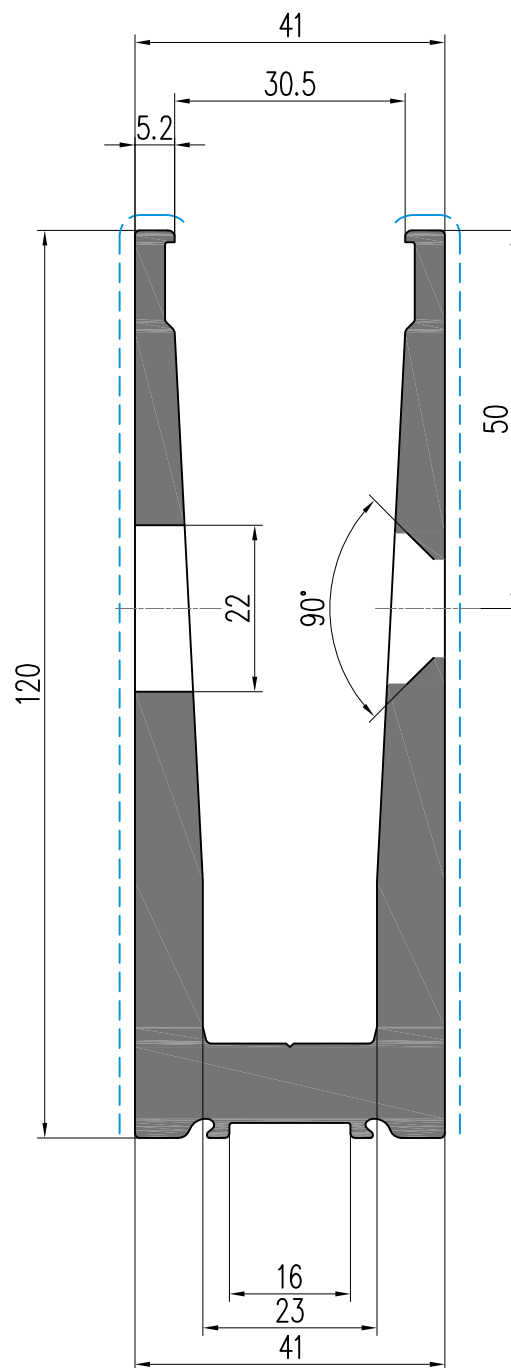


RAILING SYSTEM

Profiles list I



With lower drillings



With lateral drillings

RAILING SYSTEM

Profiles list I

